

PDC Smart[®] Cards & Key Fobs



PDC Smart[®] Cards and Key Fobs are the perfect complement to SmartBand[®] RFID wristband applications.

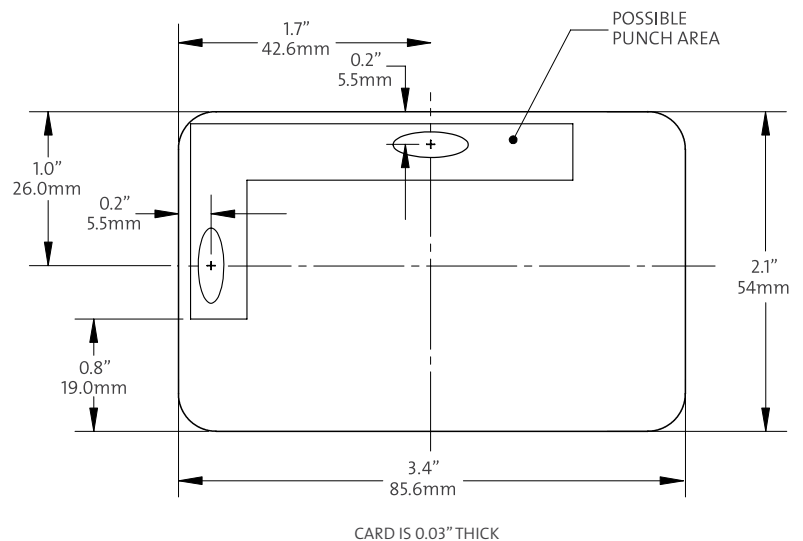
Cards and Key Fobs can be issued to staff members for increased security or groups to support gift card and customer loyalty programs.

PDC Smart® Cards

- **Full-color custom printing:**
Available for all cards (except UHF).
Additional set-up charges apply.
See artwork specifications on back cover.
- Available with un-encoded magnetic stripe
- **Material:** PVC, White
- **Dimensions:** Per ISO/IEC 7810
 - Length: 3.4" (86.4mm)
 - Width: 2.1" (54.0mm)
 - Thickness: 0.03" (0.8mm)
 - Corner radius: 0.125" ± 0.012" (3.18mm ± 0.3mm)
- **Weight:** 5.8g ± 0.5g (per card)
- **Quantity:** 200/250 per box
- **Lead Time:** 3 weeks (from date of artwork approval and payment terms)



PDC Smart® Card Specifications:



PDC Smart® Card Ordering Instructions:

Part Number	RFID Tag	Magnetic Stripe	Qty
C100-00-PDJ	Tag-it HF-I	n/a	250
C101-00-PDJ	Tag-it HF-I	HiCo	250
C103-00-PDJ	Tag-it HF-I	LoCo	250
C105-00-PDH*	Tag-it HF-I	LoCo	200
C106-00-PDH*	Tag-it HF-I	HiCo	200
C108-00-PDH	Mifare 1K	n/a	200
C109-00-PDH*	Mifare 1K	LoCo 350 Oe	200
C110-00-PDH*	Mifare 1K	HiCo 2750 Oe	200
C111-00-PDH	Mifare 4K	n/a	200
C112-00-PDH	Tag-it HF-I	HiCo 650 Oe	200
C113-00-PDH	Tag-it HF-I	n/a	200
C114-00-PDH	Higgs3 (UHF)	n/a	200
C115-00-PDJ	ICODE SLI	n/a	250

**Not suitable for slot punching.*

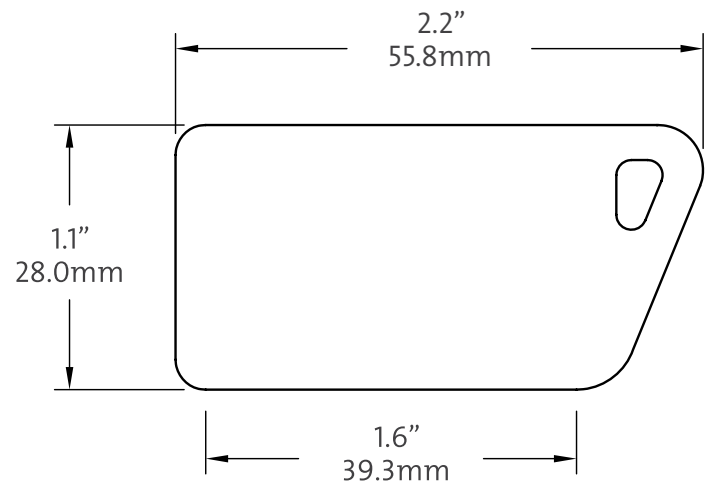
See RFID Tag specifications on back cover

PDC Smart® Key Fobs

- **Full-color custom printing:**
Available for all key fobs. Additional set-up charges apply. See artwork specifications on back cover.
- **Material:** PVC, White
- **Dimensions:**
 - Length: 2.2" (55.8mm)
 - Width: 1.1" (28.0mm)
 - Thickness: 0.06" (1.6mm)
- **Quantity:** 250 per box
- **Lead Time:** 3 weeks (from date of artwork approval and payment terms)



PDC Smart® Key Fob Specifications:



FOB IS 0.06" THICK



PDC Smart® Key Fob Ordering Instructions:

Part Number	RFID Tag	Qty
F101-11-PDJ	Tag-it HF-I	250
F105-11-PDJ	Mifare 1K	250
F106-11-PDJ	Mifare Ultralight	250

See *RFID Tag specifications on back cover*

PDC Smart® Card & Key Fob Principle Applications:

- Access Control & Security
- Season Passes & Gym Memberships
- Promotional, Customer Loyalty & VIP Programs
- Payment & Ticketing Options (such as mass transit)
- Personal Identification Credential

Artwork Specifications:

Spot Color Specifications:

- CLEAN, BLACK AND WHITE LINE ART is required
- Tones and screens need to be converted to solids
- Broken lines, weak lines, or smeared art cannot be imprinted
- Outline all fonts in the artwork files

Full Color (CMYK, 4-color) Specifications:

- EPS or AI files are preferred
- High resolution (300-600 dpi)
- Outline all fonts in the artwork file



No tones or screens (gray area)



No faxed art or art with broken or weak lines



Artwork must be clean, black & white line art

Preferred File Formats			
Format	Extension	Description	Note
EPS	.eps	Illustrator encapsulated post script	Convert text to outlines
AI	.ai	Adobe Illustrator	Convert text to outlines
TIFF	.tif	Tagged image file format	300-600 dpi or higher
JPG	.jpg	Joint Photographic Experts Group	300-600 dpi or higher

Note: If artwork is not supplied in the proper format and requires additional graphic design work, you may be billed for art charges.

No Logos / Artwork from a Website

We cannot use logos/artwork that are copied from a website as these images are low resolution and will produce a jagged, pixilated imprint with poor quality results.

E-Mail your Artwork

You may e-mail your artwork to artwork@pdcorp.com. Please include your company name, order number, contact name and phone number in your e-mail message.

Upload your Artwork Online

To upload your artwork through our website, go to www.pdcsolutions.com/artwork. Simply attach your artwork file.

Artwork Archives

We are happy to keep your card & key fob artwork on file for future re-orders. This will save you time and money. Please note, however, that if artwork is not used within a two year period, the archive artwork will be destroyed.

RFID Specifications:

	Texas Instruments Tag-it HF-1	Mifare 1K	Mifare 4K	NXP ICODE SLI	UHF
Operating Frequency	13.56 MHz	13.56 MHz	13.56 MHz	13.56 MHz	860-960 MHz
EEPROM Size	256 byte (2048 bit)	1024 byte (8192 bit)	4 byte	128 byte (1024 bit)	512 bits user memory
Memory Organization	64 blocks, 4 bytes per block	16 sectors, 4 blocks of 16 bytes	32 sectors, 4 blocks of 16 bytes	32 blocks, 4 bytes per block	64 bit TID, 96bit EPC, 512 User
Unique Serial Number (UID)	8 byte (64 bit)	4 byte	4 byte	8 byte (64 bit)	8 byte (64 bit)
RF Interface	ISO 15693-3	ISO 14443A	ISO 14443A	ISO 15693-3	ISO 18000-6C
Data Retention (years)	10	10	5	10	N/A
Write Endurance (cycles)	100,000	100,000	100,000	100,000	10,000
Read/Write Range	3.5" / 8.9 cm	1.5" / 3.8 cm	4" / 10 cm	2.4" / 6 cm	5" / 12.7 cm

North America & Latin America

U.S. Headquarters
27770 N. Entertainment Drive, Suite 200
Valencia, CA 91355
Tel: 866.403.6526
Tel: 661.257.0233 ext 1556
Fax: 818.686.9336
Email: rfid@pdcsolutions.com

Asia Pacific

Tel: +1.661.257.0223
Fax: +1.818.686.9317
Email: asia@pdcsolutions.com

Europe, Middle East & Africa

European Headquarters
Rue de l'Industrie, 17
1400 Nivelles, Belgium
Tel: +32 67 89 56 56
Fax: +32 67 21 77 70
Email: info@pdcsolutions.eu



www.facebook.com/pdcsolutions